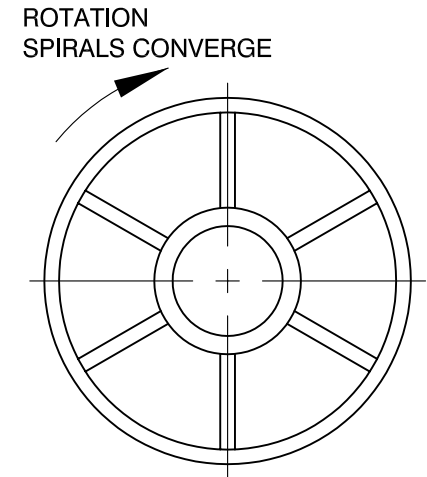
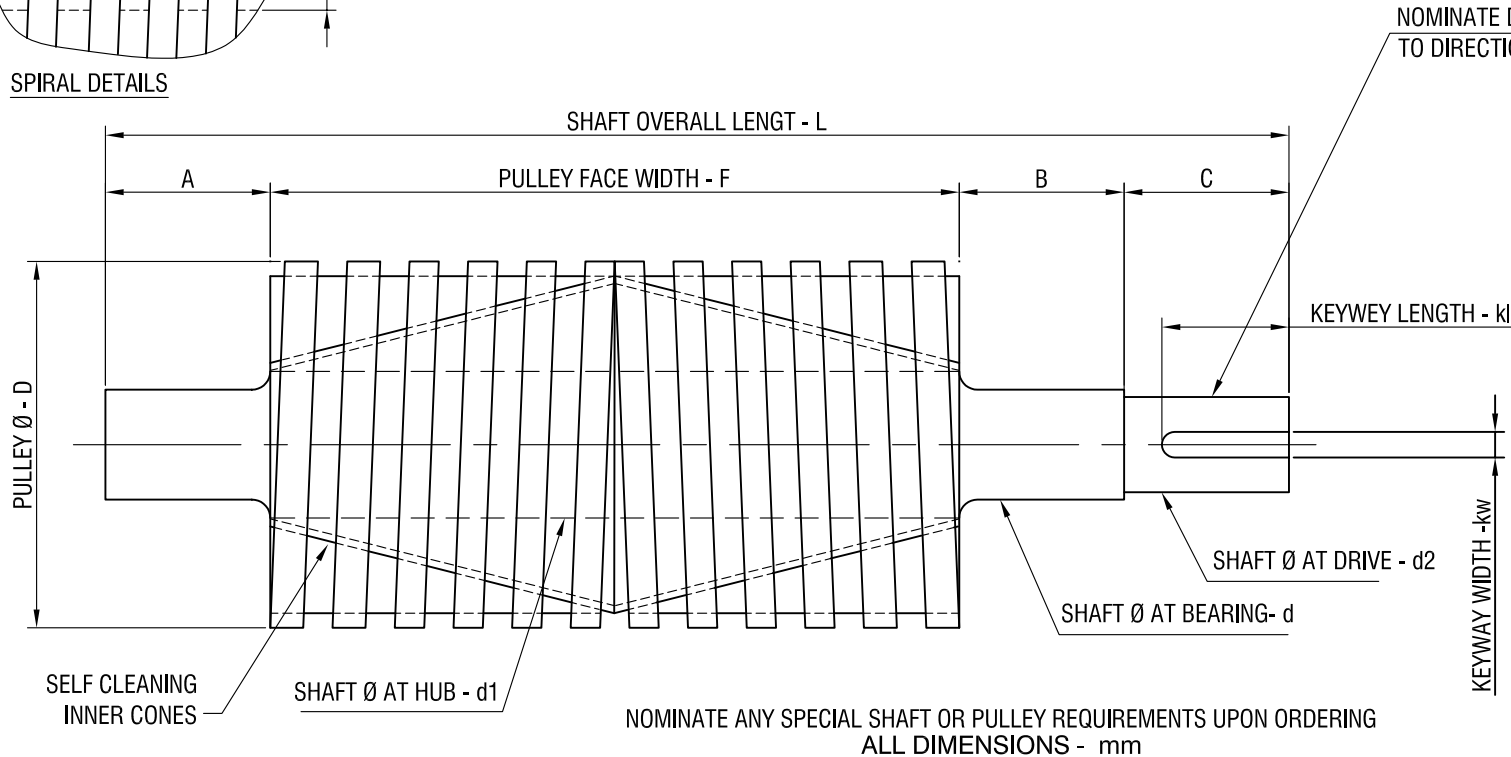
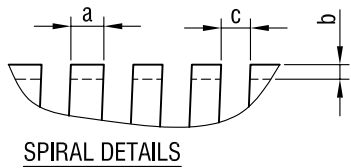


K-Self Cleaning Conveyor Drive Pulley Worksheet



NOMINATE ANY SPECIAL SHAFT OR PULLEY REQUIREMENTS UPON ORDERING
 ALL DIMENSIONS - mm

PULLEY :-	SHAFT:-	KEYWAY:-	SHAFT ATTACHMENT:-	SPIRAL DETAILS
DIAMETER -D FACE WIDTH -F RIB THICKNESS -a RIBS NUMBER CROWNED:- YES NO SPEED - rev/min	DIA AT BEARING-d DIA AT HUB-d1 DIA AT DRIVE-d2 SHAFT LENGTHS:- OVERALL LENGTH -L A B C BEARINGS CODE:- with cylindrical bore with adapter sleeve	KEYWAY WIDTH kw KEYWAY LENGTH kl	WELDED TO PULLEY LOCKING ELEMENT TO PULLEY TAPERLOCKED TO PULLEY OTHER	DIM 'a' WIDTH DIM 'b' THICKNESS DIM 'c' SPIRAL SPACING

Issue Date: 29/01/2013

K-WS-K-Self Cleaning Drive Pulley; Rev. 0;

Kinder Australia Pty Ltd

Subject to © Kinder Australia Pty Ltd
 ABN: 28 006 489 238

26 Canterbury Rd, Braeside VIC 3195
 PO Box 1026, Braeside VIC 3195
 ☎ +61 3 8587 9111
 📠 +61 3 8587 9101

kinder.com.au

✉ conveyorsolutions@kinder.com.au

Issue: 202108

K-Self Cleaning Conveyor Drive Pulley Worksheet

Name: _____

Company: _____

Site/Operation Location: _____

Contact Number: _____

Email: _____

Date: _____

Entered or Approved
by Kinder Employee: _____

Kinder Document ID: _____

K-WS-K-Self Cleaning Drive Pulley; Rev. 0;

Issue Date: 29/01/2013

Kinder Australia Pty Ltd

Subject to © Kinder Australia Pty Ltd
ABN: 28 006 489 238

Issue: 202108

26 Canterbury Rd, Braeside VIC 3195
PO Box 1026, Braeside VIC 3195

☎ +61 3 8587 9111
☎ +61 3 8587 9101

kinder.com.au

📧 conveyorsolutions@kinder.com.au

