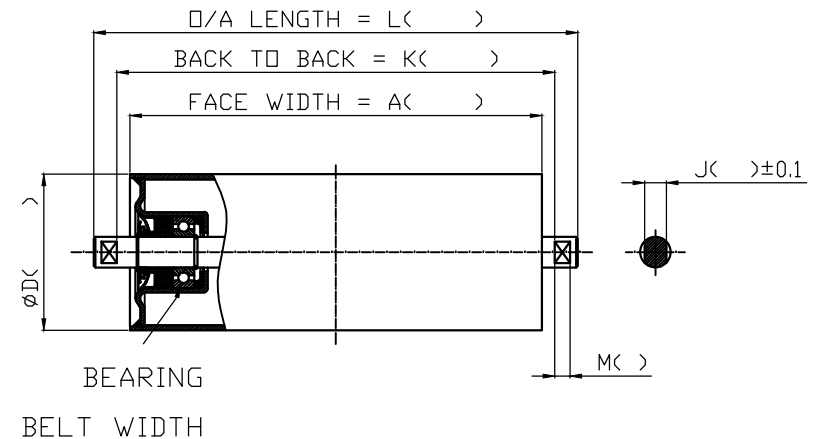


ANGLE SIZE REFERENCE TABLE	
400~750 BW	EA 50 X 50 X 6
800~900 BW	EA 65 X 65 X 6
1000~1050 BW	EA 75 X 75 X 6
1200~1350 BW	EA 90 X 90 X 6
1400~1500 BW	EA 100 X 100 X 8
1600~1800 BW	EA 125 X 125 X 10
2000~2200 BW	EA 150 X 150 X 10

ROLLER FACE WIDTH	A	
MOUNTING HOLE CENTER DISTANCE	B	
WING ROLLER HEIGHT	C	
ROLLER DIAMETER Ø	D	
MOUNTING SLOTS CENTER DISTANCE (CROSS)	E	
CENTER ROLLER HEIGHT	F	
TROUGH ANGLE	G	
ROLLER PROFILE WIDTH	H	
ACROSS THE FLAT	J	
ROLLER BACK TO BACK DISTANCE	K	
ROLLER O/A LENGTH	L	
SLOT WIDTH	M	



K-WS-Offset Trough Idler; Rev. 0;

3 ROLL OFFSET TROUGH IDLER WORKSHEET

Kinder Reference Drawing: K2611
Issue Date: 30/01/2013

Kinder Australia Pty Ltd

Subject to © Kinder Australia Pty Ltd
ABN: 28 006 489 238

26 Canterbury Rd, Braeside VIC 3195
PO Box 1026, Braeside VIC 3195
☎ +61 3 8587 9111
☎ +61 3 8587 9101

kinder.com.au

✉ conveyorsolutions@kinder.com.au

Issue: 202108

Page 1

Name: _____

Company: _____

Site/Operation Location: _____

Contact Number: _____

Email: _____

Date: _____

Entered or Approved
by Kinder Employee: _____

Kinder Document ID: _____

K-WS-Offset Trough Idler; Rev. 0;

3 ROLL OFFSET TROUGH IDLER WORKSHEET

Kinder Reference Drawing: K2611

Issue Date: 30/01/2013

Kinder Australia Pty Ltd

Subject to © Kinder Australia Pty Ltd
ABN: 28 006 489 238

Issue: 202108

26 Canterbury Rd, Braeside VIC 3195
PO Box 1026, Braeside VIC 3195
☎ +61 3 8587 9111
📠 +61 3 8587 9101

kinder.com.au

📧 conveyorsolutions@kinder.com.au

