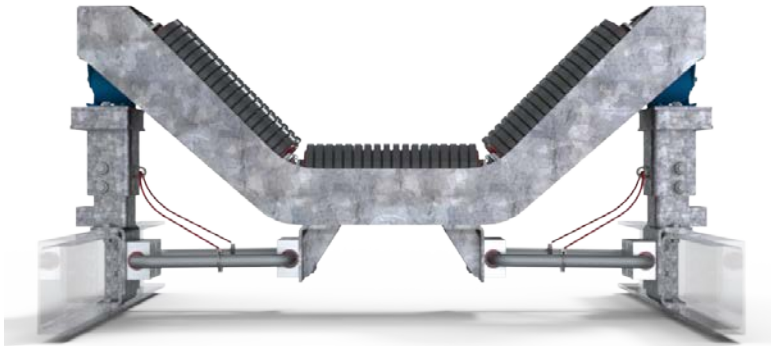


K-Shield Dynamax® Impact Idler

MAXIMUM Impact Absorption and Belt Protection for EXTREME HD Applications



Torsion Spring Element

K-Shield Dynamax® Impact Idlers are ideally suited for heavy duty applications, particularly within mining environments and for high capacity conveyors, with no limit on belt speed, belt width, lump size, TPH or drop height. Kinder Australia technical engineers can custom design and manufacture heavy duty frames to suit specific materials handling applications.

The K-Shield Dynamax® Impact Idler consists of a dual trough roll configuration matching the existing trough profile, this feature is designed to offer optimal, uniform cross-section, whilst maximising the overall loading capacity of the system. K-Shield Dynamax® Impact Idlers are suspended above anti vibration / spring element mounts, providing maximum cushioning and absorption of the conveyed materials impact.

For maintenance purposes, the idler frame system also features an additional jack down/lowering access facility. This allows rollers to be easily and efficiently replaced within the high impact loading points.

Key Features

- Torsion spring element.
- Sway bar suspension utilises polyurethane bushes for optimum stability, whilst enabling the idler to move up and down when impacted.
- Heavy duty frame can be custom designed to suit specific application.
- Standard dual roll idler shown available in any trough angle and roller qty/configuration.

Key Benefits

- Increases conveyor belt life
- Idler frame can be jacked down for maintenance purposes and roller replacement.
- Increases conveyor roller and bearing life.
- Reduces maintenance and total cost of ownership.



Kinder Australia Pty Ltd

26 Canterbury Road, Braeside VIC 3195
PO Box 1026, Braeside VIC 3195

☎ +61 3 8587 9111
✉ +61 3 8587 9101

✉ conveyorsolutions@kinder.com.au

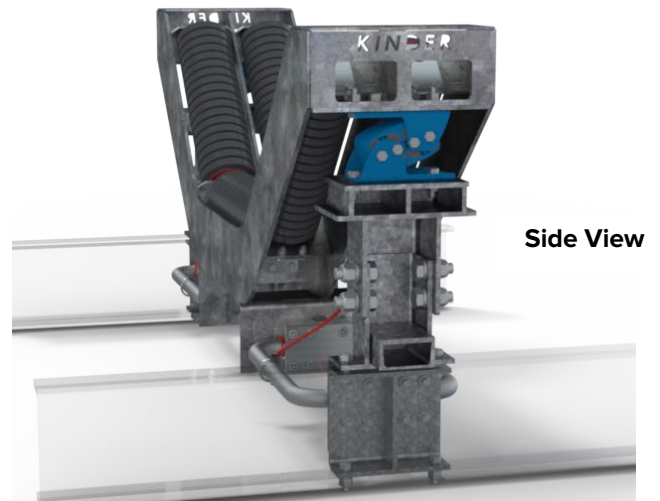
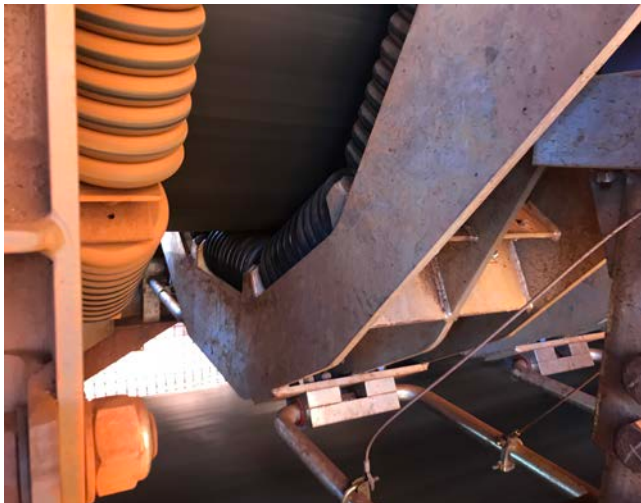
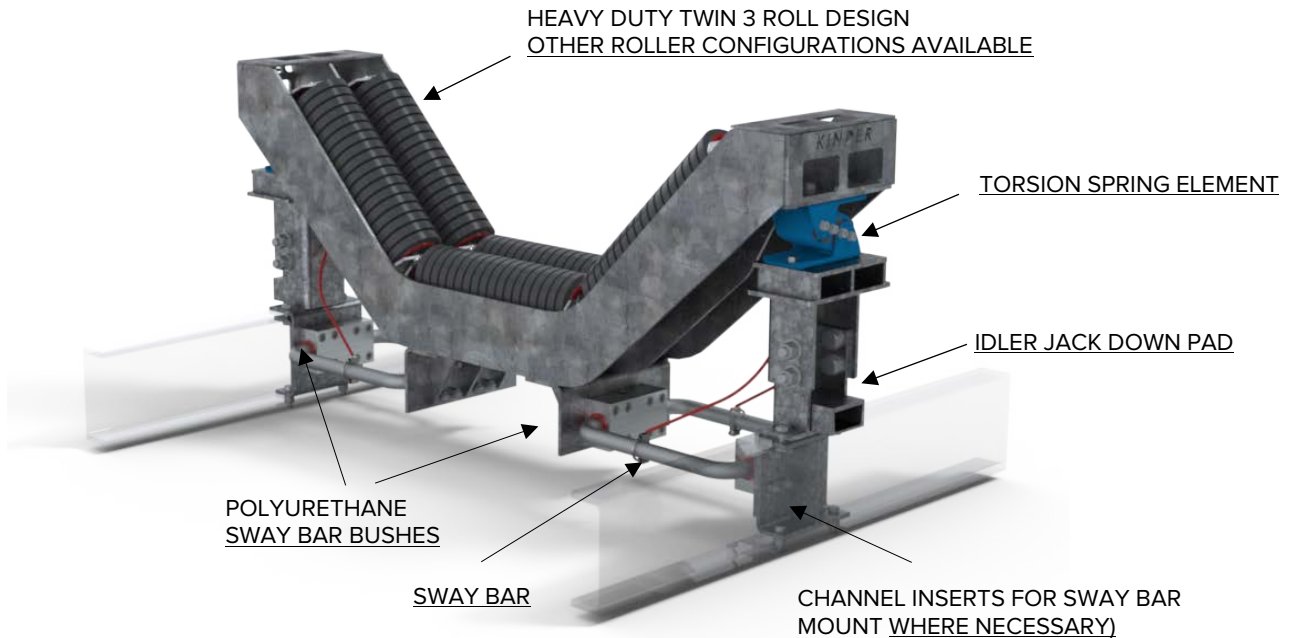
ABN: 28 006 489 238

<https://kinder.com.au>

Subject to © Kinder Australia Pty Ltd

Issue: 202105

K-Shield Dynamax® Impact Idler



Kinder Australia Pty Ltd

26 Canterbury Road, Braeside VIC 3195
PO Box 1026, Braeside VIC 3195

☎ +61 3 8587 9111
☎ +61 3 8587 9101

✉ conveyorsolutions@kinder.com.au
ABN: 28 006 489 238

<https://kinder.com.au>

Subject to © Kinder Australia Pty Ltd
Issue: 202105