

Micro Eraser™ Primary Belt Cleaning System



Micro Eraser™ Primary Belt Cleaning System is

designed to be lightweight yet provide strength and durability with a .6 mm thick, 51 mm x 51 mm tube stock steel mainframe and corrosion-resistant, galvanized Schedule 80 pipe stub ends.

Key Benefits

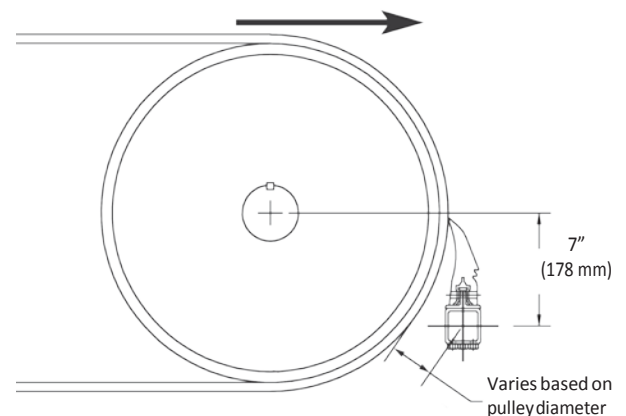
- Proven effective cleaning performance with a 152mm tall Raptor blade.
- Very compact mounting footprint only protrudes 114mm from mounting structure.
- No rusted springs, hoses, cables, shocks or mud packed components to deal with.
- The Perma-Torque™ internal central tensioner is adjustable from 7 to 27 Nm resulting in uniform cleaning pressure to the conveyorbelt.
- Single pin blade attachment means quick and simple blade change out with less downtime and no rusty bolts.
- Also available with Safe-Torque™ ratchet tensioning system.

Specifications

Suits:

- Belt speeds up to 2.5m/s for G83 blades, for greater belt speeds contact Kinder Australia.
- Maximum Pulley Diameter (PD) 432mm
- Mounting distances:
 - 102 mm PD of 203 mm - 254 mm
 - 95 mm PD of 255 mm - 330 mm
 - 89 mm PD of 331 mm - 406 mm
 - 83 mm PD of 407 mm - 432mm
- Suitable for portable equipment

Mounting



www.kinder.com.au

Kinder Australia Pty Ltd

P | +61 3 8587 9111 F | +61 3 8587 9101 E | sales@kinder.com.au

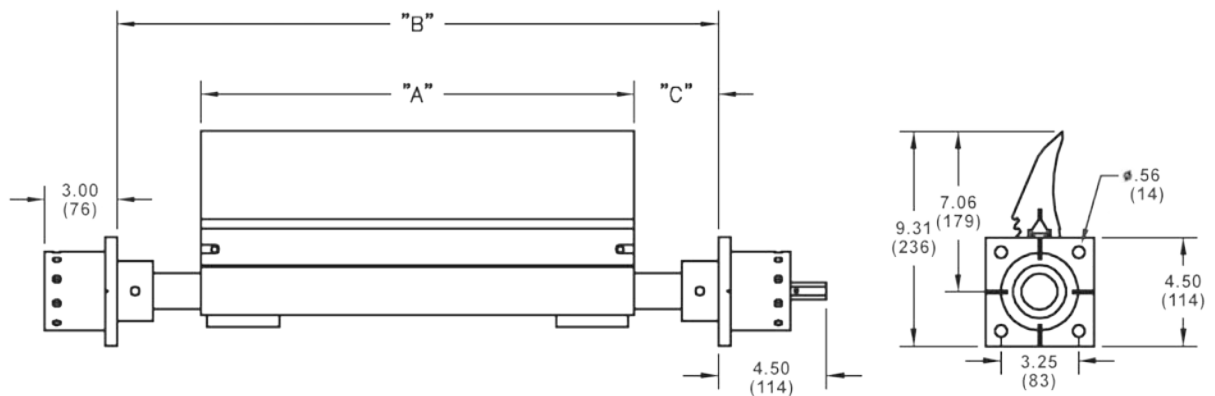
26 Canterbury Rd, Braeside VIC 3195 (PO Box 1026, Braeside VIC 3195)

Subject to © Kinder Australia Pty Ltd



Micro Eraser™ Primary Belt Cleaning System

Sizing Information – Dimensions – mm



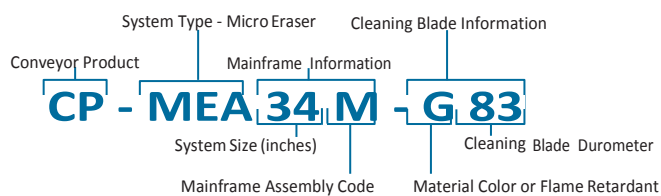
The Micro Eraser Primary Belt Cleaning System are available in a vast array of different sizes to suit all Belt widths. Please contact Kinder Australia for dimensions on the extensive range of other sizes suitable for your specific belt width.

Part Number	A	Min B	Max B	Min. C	Max C
	mm	mm	mm	mm	mm
K-CLE-CP-MEA16M-G83	406	635	889	152	241
K-CLE-CP-MEA22M-G83	559	572	1041	6	241
K-CLE-CP-MEA28M-G83	711	724	1194	6	241
K-CLE-CP-MEA36M-G83	914	926	1396	6	241
K-CLE-CP-MEA38D-G83	965	977	1447	6	241
K-CLE-CP-MEA44D-G83	1118	1130	1600	6	241
K-CLE-CP-MEA52D-G83	1321	1333	1803	6	241
K-CLE-CP-MEA56D-G83	1422	1434	1904	6	241

Notes:

- To get minimum B or C, the shaft collars must be removed.
- For short tensioner, subtract 10" (254 mm) from B max. and 5" (127 mm) from C max.
- Standard "in stock" sizes shown above. Other sizes are available from 16" (406 mm) to 72" (1829 mm).

NOMENCLATURE



Notes:

A wide variety of configurations as well as complete stainless steel systems are available

BLADES

N62 Ether
Normally used for extremely wet applications, sands & fines

R80 Ether
Good for wet applications with any pH level

G83 Ester
Our standard, high abrasion-resistant all-purpose cleaning blade

U90
Good for dry applications with any pH level

B93 Ester
Our high temperature cleaning blade, up to 250°F (121 C)

FO83 Ester
MSHA approved, Frontline® Flame-resistant cleaning blade

RU83 Ester
Flame retardant, anti-static cleaning blade

