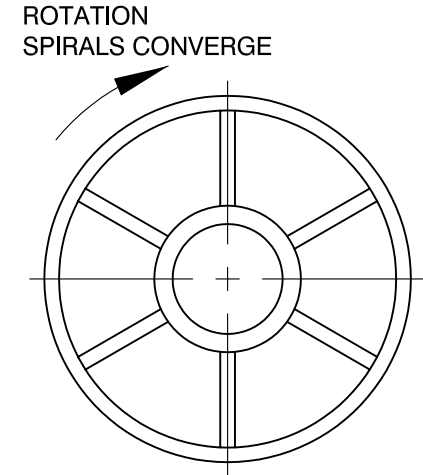
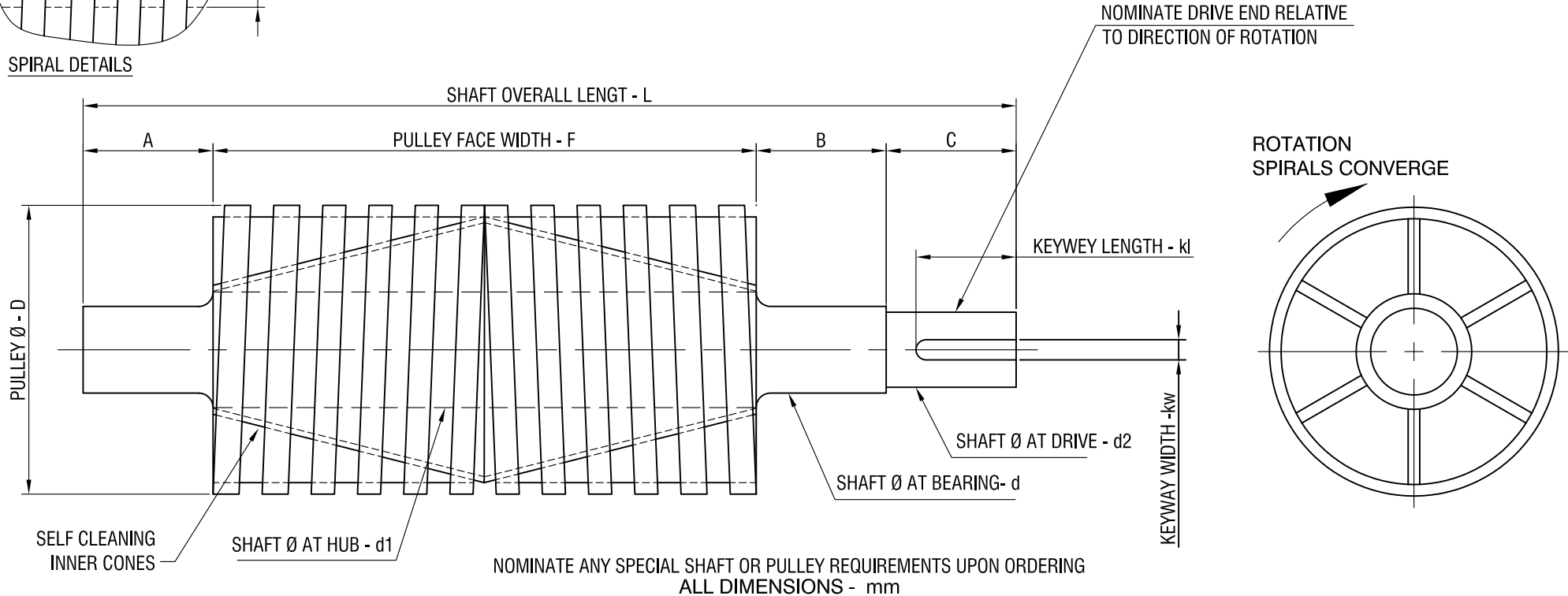
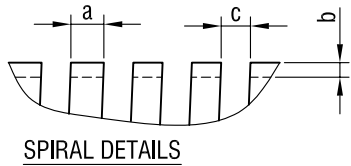


K-Self Cleaning Conveyor Drive Pulley Worksheet



NOMINATE ANY SPECIAL SHAFT OR PULLEY REQUIREMENTS UPON ORDERING
 ALL DIMENSIONS - mm

<p>PULLEY :- DIAMETER -D FACE WIDTH -F RIB THICKNESS -a RIBS NUMBER CROWNED:- YES NO SPEED - rev/min</p>	<p>SHAFT:- DIA AT BEARING-d DIA AT HUB-d1 DIA AT DRIVE-d2 SHAFT LENGTHS:- OVERALL LENGTH -L A B C BEARINGS CODE:- with cylindrical bore with adapter sleeve</p>	<p>KEYWAY:- KEYWAY WIDTH kw KEYWAY LENGTH kl</p>	<p>SHAFT ATTACHMENT:- WELDED TO PULLEY LOCKING ELEMENT TO PULLEY TAPERLOCKED TO PULLEY OTHER</p>	<p>SPIRAL DETAILS DIM 'a' WIDTH DIM 'b' THICKNESS DIM 'c' SPIRAL SPACING</p>
---	---	---	---	--

K-WS-K-Self Cleaning Drive Pulley; Rev. 0;

Issue Date: 29/01/2013



www.kinder.com.au



EXPERIENCE INNOVATION PRODUCTIVITY

Kinder Australia Pty Ltd

P | +61 3 8587 9111 F | +61 3 8587 9101 E | sales@kinder.com.au
 26 Canterbury Rd, Braeside VIC 3195 (PO Box 1026, Braeside VIC 3195)

Subject to © Kinder Australia Pty Ltd



Page 1

K-Self Cleaning Conveyor Drive Pulley Worksheet

Name: _____

Company: _____

Site/Operation Location: _____

Contact Number: _____

Email: _____

Date: _____

Entered or Approved
by Kinder Employee: _____

Kinder Document ID: _____

K-WS-K-Self Cleaning Drive Pulley; Rev. 0;

Issue Date: 29/01/2013



www.kinder.com.au



Kinder Australia Pty Ltd

P | +61 3 8587 9111 F | +61 3 8587 9101 E | sales@kinder.com.au
26 Canterbury Rd, Braeside VIC 3195 (PO Box 1026, Braeside VIC 3195)

Subject to © Kinder Australia Pty Ltd

Page 2

