

K-Quick Clamp Skirting System

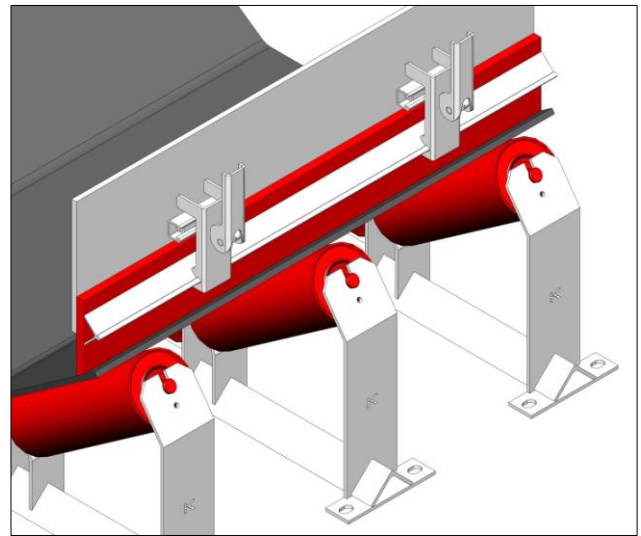
Confined Space Skirt Adjustment

To ensure a proper seal, conveyor skirting rubber must be adjusted regularly to prevent dust leakage. K-Quick Clamp Skirt System allows plant operators to fit, release and adjust skirting rubber easily and without tools. The system is suited to awkward and confined spaces.

K-Quick Clamp Skirting System is zinc plated and consists of 2 cam assemblies to be spaced at nominal 500 mm centres. The one metre length of aluminium V Clamp rail is included.

Key Benefits:

- No tools required and easy to fit
- Fast adjustment
- Uses standard rubber
- One size for all applications
- Also available in T304 Stainless Steel



Part Number	Item Description	Weight (kg)
SKI-JW003-ANGLE-I	Quick Clamp Alloy Skirt Angle (1 meter Long)	1.15
SKI-JW003-CLAMP-I	Quick Clamp	1.15
SKI-JW003-SSCLAMP-I	Quick Clamp - Stainless Steel	1.15
SKI-SKIRTJW003-AS	Quick Clamp Assembly ZP Assembly Includes: 2 x (SKI-JW003-CLAMP-I) 1 x (SKI-JW003-ANGLE-I)	3.45



<https://kinder.com.au>

Subject to © Kinder Australia Pty Ltd
Issue: 202102

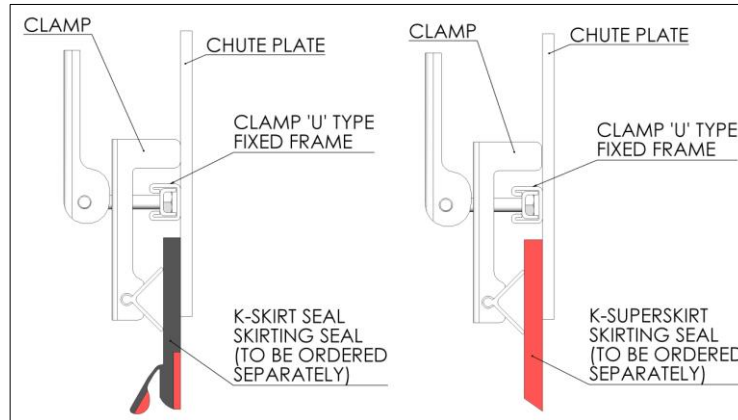
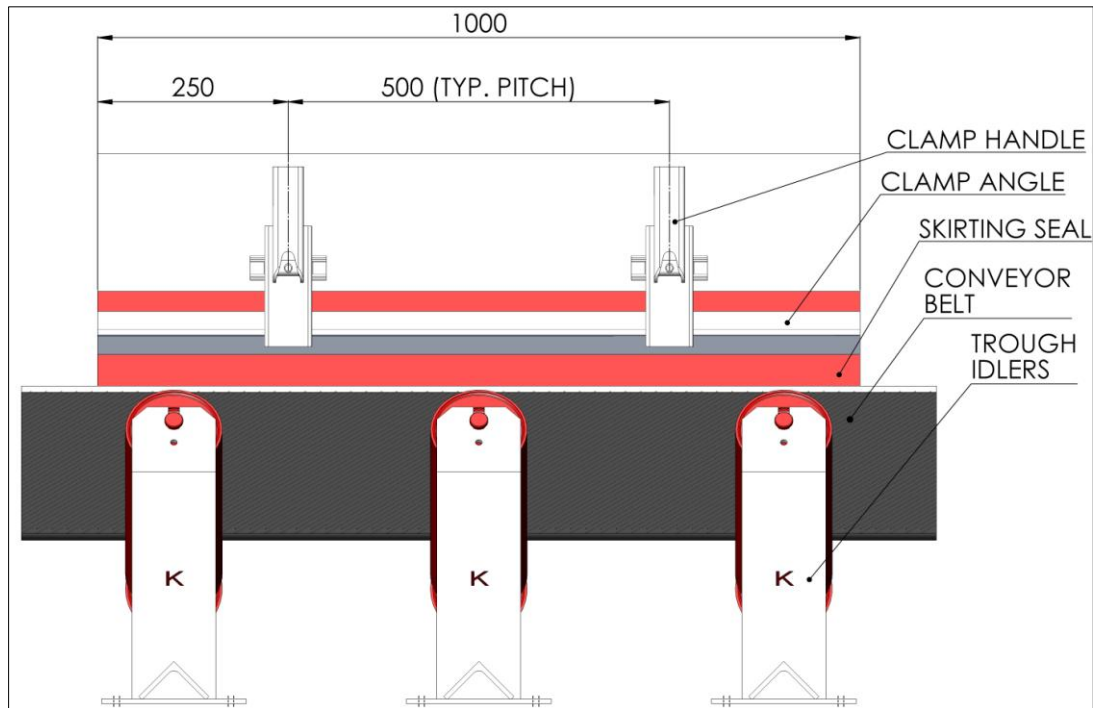
Kinder Australia Pty Ltd

26 Canterbury Road, Braeside VIC 3195
PO Box 1026, Braeside VIC 3195

☎ +61 3 8587 9111
☎ +61 3 8587 9101

✉ conveyorsolutions@kinder.com.au
ABN: 28 006 489 238

K-Quick Clamp Skirting System



<https://kinder.com.au>

Subject to © Kinder Australia Pty Ltd
Issue: 202102

Kinder Australia Pty Ltd

26 Canterbury Road, Braeside VIC 3195
PO Box 1026, Braeside VIC 3195

☎ +61 3 8587 9111
☎ +61 3 8587 9101

✉ conveyorsolutions@kinder.com.au
ABN: 28 006 489 238