

## CASE STUDY: K-Snap-Loc® Dust Seal System

Product:	K-Snap-Loc® Dust Seal
Product category:	System Conveyor Skirting and
Location:	Sealing North-West, Western
Conveyed materials:	Australia Salt
Conveyor width	1050mm
Conveyor speed	3.2 metres per second
Installation date:	March 2014

### Previous problem:



*Above and below:  
Images of previous transfer chute set up*



Our customer is a market leader in the supply of bulk solar salt, based in the north west region of Western Australia. The salt is a wet material when harvested, with relatively small particles of less than 4mm. When conveyed, the salt has a tendency to hang up in the chutes, skirts and screens. As the salt is highly corrosive, it causes problems for regular mild steel materials handling components.

Our customer was experiencing a significant **spillage problem** around the transfer point area. Here the challenge was to contain the low mass salt particles effectively and stop them from bouncing off the belt. Due to salt causing hang up, fitting any type of skirting around the chute had not been successful previously.

Not only was there wasted product, but the steel structure of the transfer point was quickly being effected by an increasing amount of corrosion caused by the salt. To maintain this area, it needed to be washed down frequently, creating **additional labour costs**.



## CASE STUDY: K-Snap-Loc® Dust Seal System

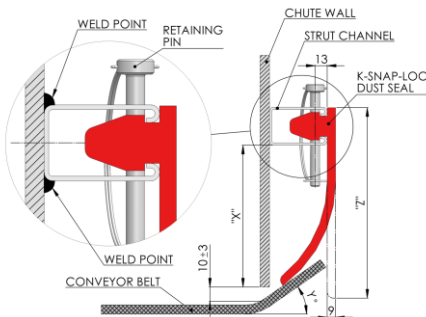
### Resolution:

#### K-Snap-Loc Dust Seal System

- Prevents spillage
- Easy “snap on” installation method
- Lightweight requiring less labour to install and replace in the future
- Self-adjusting qualities of the polyurethane “memory set” means no need for manual adjustment
- 60% less drag on the conveyor belt making it energy efficient
- Field tested with 8 to 10 the wear life better than quality rubber
- Suitable for all belt widths and trough angles
- Available in fire retardant and fire resistant anti static formulas (FRAS)

After consultation with Kinder Australia, the K-Snap-Loc® Dust Seal was selected by our customer as a better dust suppression solution. K-Snap-Loc® Dust Seal is made from high quality engineered polyurethane making it very **lightweight** and **easy to install**, requiring **minimal labour**. Also, because it is highly durable and resistant to corrosion it will **last longer** once in place, requiring less replacement skirting in the future. This will achieve significant cost savings and reduce scheduled maintenance shutdowns.

Our customer has confirmed that the K-Snap-Loc® Dust Seal System was very easy to install “only required measuring, and some welding of the stainless unistrut and did not require knocking down of skirts and adjustment. Kinder Australia provided lots of assistance in getting quotes, drawings, supplying offcuts of material from the warehouse and working with us to get our requirements right (stainless steel unistrut instead of the standard mild steel in stock).”



Above: Installation drawing for K-Snap-Loc Dust Seal System showing weld point and retaining pin  
Right: Close-up image of conveyor chute and K-Snap-Loc after installation.

